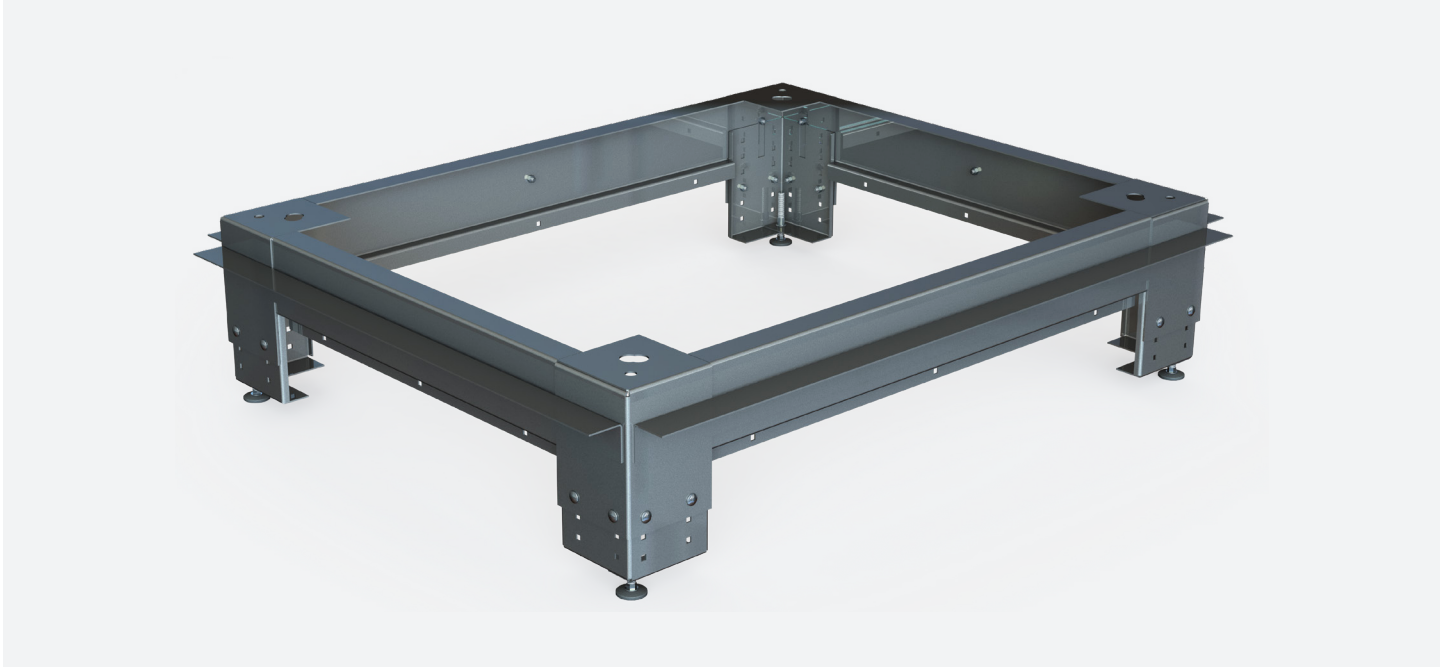


GIGARACK ACCESSORIES

TECHNICAL FLOOR CABINET SUPPORT



SPECIFICATIONS

- ▶ Frame: steel, assembly by screws
- ▶ Support: adjustable feet
- ▶ Width: 600 / 800 mm
- ▶ Depth: 600 / 800 / 1000 / 1200 mm
- ▶ Height: 200 / 225 / 250 / 275 / 300 / 325 mm
- ▶ Finish: zinc plated
- ▶ Fit on all floor standing cabinets GIGARACK type 70 and type 250

PART NUMBER	DESCRIPTION
GGM TFCS4AS70	Set of 4 angles adjustable in height GIGARACK type 70
GGM TFCS4AS250	Set of 4 angles adjustable in height GIGARACK type 250
GGM TFCS2S600	Set of 2 sides 600 mm
GGM TFCS2S800	Set of 2 sides 800 mm
GGM TFCS2S1000	Set of 2 sides 1000 mm
GGM TFCS2S1200	Set of 2 sides 1200 mm

SELECTION GUIDE

1 EXEMPLE:
YOUR PART NUMBER'S RACK IS:

GGM EL42810N

TYPE

- ▶ **EL = GGM TFCS4AS70**
- ▶ AL = GGM TFCS4AS250
- ▶ ALS = GGM TFCS4AS250

WIDTH

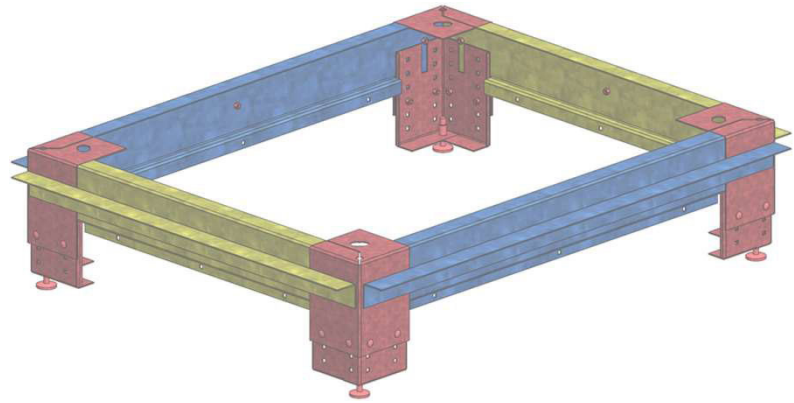
- ▶ 6 = GGM TFCS2S600
- ▶ **8 = GGM TFCS2S800**

DEPTH

- ▶ 6 = GGM TFCS2S600
- ▶ 8 = GGM TFCS2S800
- ▶ **10 = GGM TFCS2S1000**
- ▶ 12 = GGM TFCS2S1200

2 THE DEDICATED CABINET
SUPPORT IS COMPOSED WITH:

- ▶ 1x GGM TFCS4AS70
- ▶ 1x GGM TFCS2S800
- ▶ 1x GGM TFCS2S1000



ADJUSTEMENT RANGE

