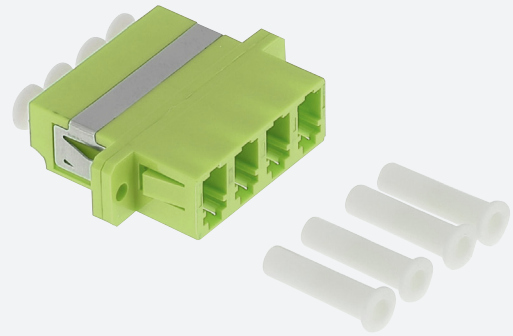




MULTIMODE CONNECTOR

GGM RACLCLCQG



Plastic body
Lime green colour
Ceramic sleeve

Fiber optic adapters (or bulkheads) allow two fibers equipped with connectors (pre-connectorized optical fibers, patchcords, etc...) to be connected to each other, via a ceramic sleeve.

This process ensures optimized insertion loss and reflectance at the point of contact.

FEATURES

PART NUMBER	DESCRIPTION
GGM RACLCLCQG	LC quad multimode adaptor, plastic body, lime green colour, ceramic sleeve