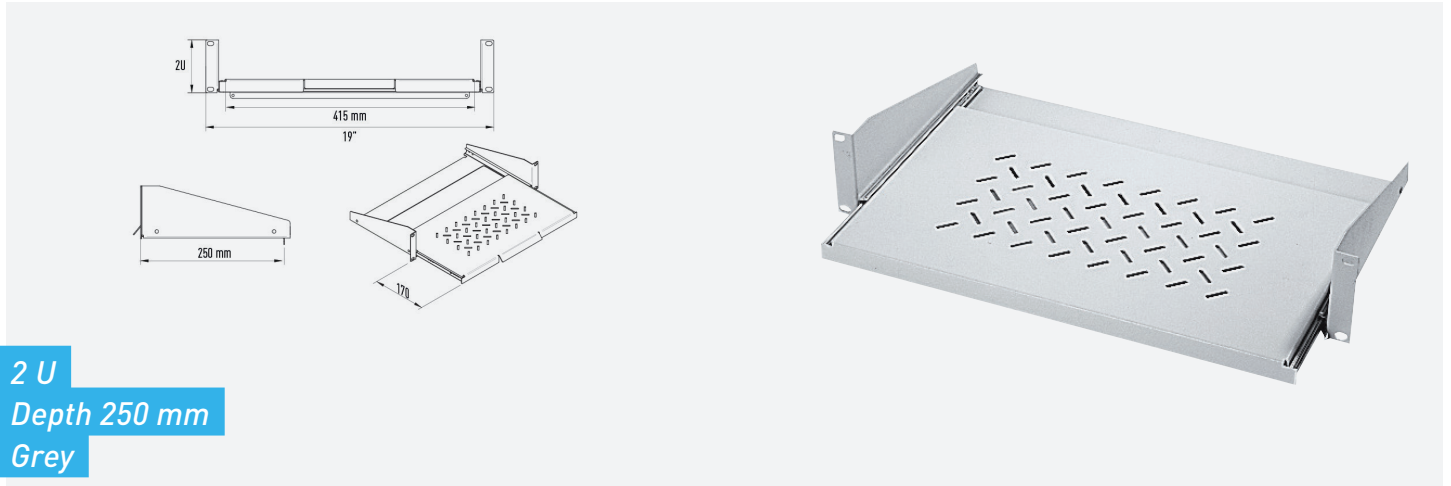




19" SLIDING SHELF- 2 FIXING POINTS

GGM EG250



2 U
Depth 250 mm
Grey

Allows installation of small equipment that doesn't have 19" mounting supports.

FEATURES

Format :	19"
Height :	2 U
Useful width :	415 mm
Useful Depth :	250 mm
Load capacity :	10 kg
Perforated :	Yes
RAL :	7035 (Grey)
Fixing :	On the front 19" mounting profiles
Compatibility :	Fits all 19" racks

PART NUMBER	DESCRIPTION
GGM EG250	19" Sliding shelf 2U depth 250 mm - Grey