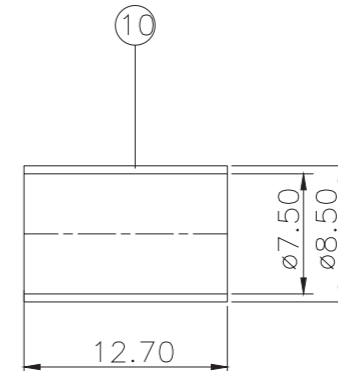
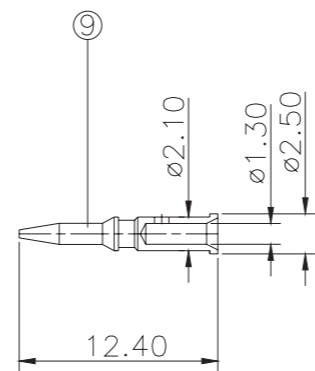
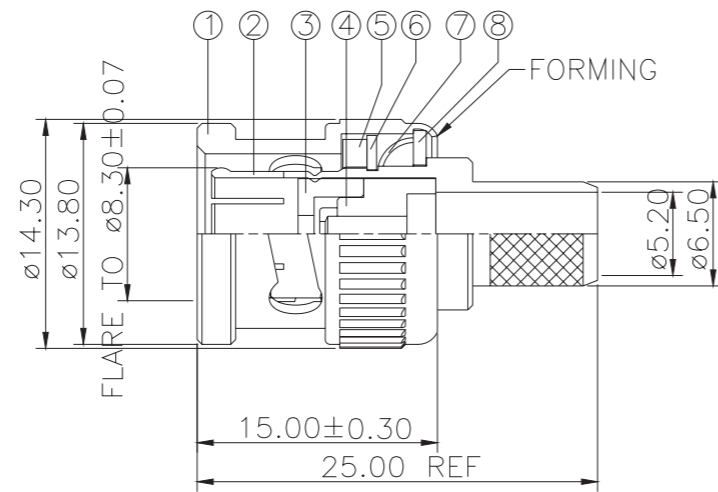


REVISIONS				
RevNo	Description	Date	Revision	Mender
1				
2				

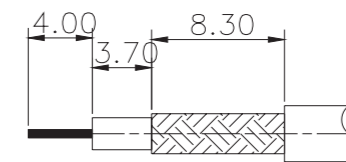


NOTES: FINISH (PLATING THICKNESS IN MICRO-INCHES)

1. BRASS PER QQ-B-626
2. NICKEL PL. 100 MIN. THICK OVER COPPER STRIKE
3. GOLD PL. 1.5 MIN THICK OVER NICKEL PL. 100 MIN. THICK OVER COPPER STRIKE
4. JIS H 3250, C 2700

ROHS Compliant

1. CRIMPED FERRULE  
HEX CRIMP SIZE .289
2. CRIMPED CONTACT PIN  
HEX CRIMP SIZE .068"



RECOMMENDED  
CABLE STRIPPING DIM'S

10	FERRULE	NOTE 4	1	NOTE 2
9	CONTACT PIN	NOTE 1	1	NOTE 3
8	WASHER	IRON	1	NOTE 2
7	SPRING	SK5	1	NOTE 2
6	RETAINER RING	65Mn	1	NOTE 2
5	GASKET	RUBBER	1	RED
4	INSULATOR	POM	1	NATURAL
3	INSULATOR	POM	1	NATURAL
2	BODY	ZINC	1	NOTE 2
1	SHELL	ZINC	1	NOTE 2
ITEM	DESCRIPTION	MATERIAL	Q'TY	FINISHED

GIGAMEDIA				TITLE			
				BNC CRIMP PLUG 75 OHMS (FOR KX100 CABLE)			
DRAWING NO.		UNITS	MM	UNLESS OTHERWISE SPECIFIED TOLERANCES: 0.5-15 = ±0.15    ANGLES ±5° 15-30 = ±0.30 30-120 = ±0.60 >120 = ±1.00	DESIGNED		
MODEL NO.	GGM BNCMKX1000/L	SCALE	FIT		DRAWING		
PART NO.		EDITION	A1	PUBLISH DATE	APPROVED		
CAD FILE				2009/04/13	3RD ANGLE		