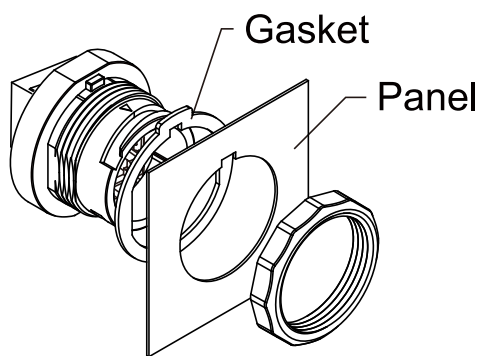
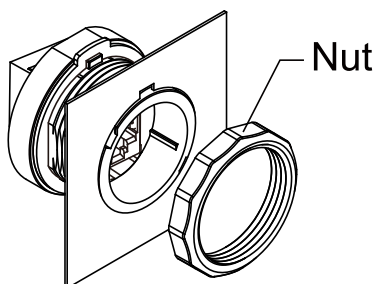


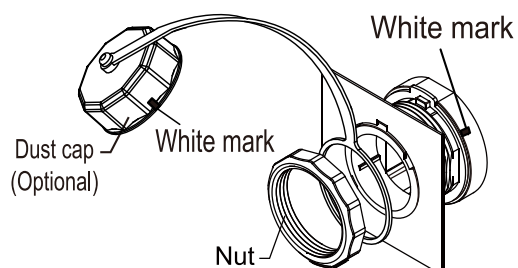
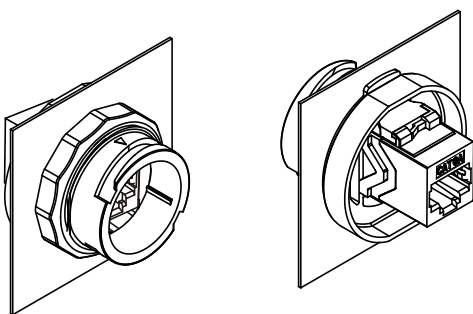
Recommended cutting on panel ,
panel thickness 0.7 ~ 2.0mm



1. Before place the IP68 socket housing to panel (or your device), make sure the gasket is between the panel (or your device) and the housing properly.



2. Screw the nut to fix the IP68 socket housing on the panel (or your device).



Precaution on secured sealing mating:

White alignment marks are provided to show when the plug and socket are securely mated. When completely mated and locked the white mark on the plug must line-up with the alignment mark on the socket, as shown, to ensure a secure, watertight seal.