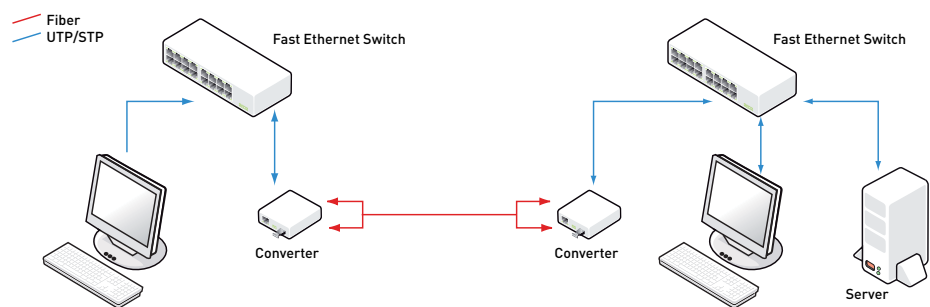


GIGABIT 1000BASE-T TO SX CONVERTER (GGM 741MC) GIGABIT 1000BASE-T TO LX CONVERTER (GGM 741SC)



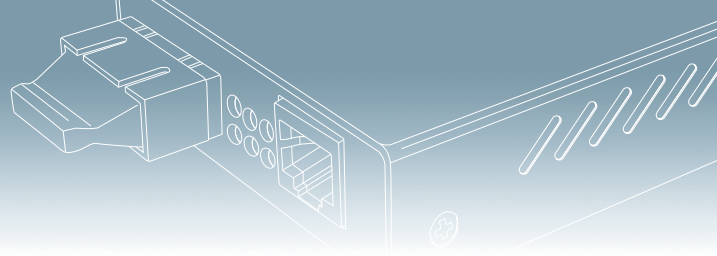
The media converters were specifically designed to offer network designers the tools for migration from copper based Gigabit to fiber based Gigabit Ethernet. Now, migration or expansion of existing networks can be achieved with minimum cost and complexity. The converters are completely transparent when installed so the network performs exactly the way it would do normally - only now, it can migrate both copper and fiber mediums.

This flexibility in cabling allows network managers to put fiber cables anywhere within a network without changing the arrangement of copper based Gigabit segments. Their compact size allows the converter to be easily deployed in any narrow desktop location or used in wall-mount installation to save space. Several converters can be simultaneously installed by using the GGM 719, 12-slot 19" rack-mount chassis, GGM -717, 4- slot rackmount converter chassis. The GGM 741, takes advantage of intelligent connection technology to support auto-negotiation, thereby eliminating the hassle of manually configuring or monitoring the settings. This ensures a plug-n-play operability.



MAIN FEATURES

- Auto MDI/MDI-X support on RJ-45 port
- Auto polarity correction on RJ-45 port
- Local and Remote loopback test for first time installation and troubleshooting
- Low power consumption
- Extends distances up to 220m for multi-mode SX (80km with long haul single mode) under full duplex mode
- Compatible with other Gigabit 1000Base-T/SX/LX devices
- Status LEDs for easy monitoring of device status
- External power supply
- Chassis compliant (internal power supply)
- FCC Class A & CE approved



TECHNICAL SPECIFICATIONS

STANDARD PROTOCOL

IEEE 802.3ab (1000 BaseT)
IEEE 802.3z (1000BASE-SX/LX)

CONNECTOR

1 x Port RJ45 UTP
1 x Port Fibre optique SC (multimode / singlemode)

MAX DISTANCE

UTP 100 m (Category 5e & 6)
Fiber Up to 10 km (singlemode)

LED

PWR Illuminated for normal operation
FD Illuminated when working in full duplex mode
LNK Illuminated when receiving link pulses from compliant devices
RCV Illuminated or flashing when data packets are being transmitted / received
MDI/MDI-X Auto Selection

POWER

Power Input 12V DC @ 0.8 A, external power adapter supply
Frequency 47 Hz to 63 Hz

TEMPERATURE

Operating 0°C to 50°C
Storage -20°C to 70°C

HUMIDITY

Operating 10% to 80% RH
Storage 5% to 90% RH

CERTIFICATION

FCC Part 15 of Class A & CE approved

DIMENSIONS

109.2 x 73.8 x 23.4 mm (L x W x H)

WEIGHT

160 g

DIP SWITCHES

DIP 1 LLBK Copper port local loop back Enable or Disable (On: Enable Off:Disable)
DIP 2 RLBK Fiber port remote loop back Enable or Disable (On: Enable Off:Disable)

PART NUMBER

P/N	DESCRIPTION
GGM 741MC	Gigabit 1000Base-T to SX Multimode Converter (SC Connector)
GGM 741SC	Gigabit 1000Base-T to LX Singlemode Converter (SC Connector)
GGM FIXCONV	Support for rail DIN / OMEGA

YOUR POINT OF CONTACT