



# USER GUIDE

**PoE & optical transmission**

Gigabit Ethernet PoE Switch (GGM GS07P)

## Statement

### **Copyright © 2002-2016 our company. All Rights Reserved.**

This document contains proprietary information that is protected by copyright. No part of this document may be reproduced, transmitted, transcribed, stored in a retrieval system, or translated into any language, in any form or by any means, electronic, mechanical, magnetic, optical, chemical, manual or otherwise without the prior written permission of our company.

The information and product specifications within this document are subject to change at any time, without notice and without obligation to notify any person of such change.

### **Packing list**

Please kindly check the following items:

- 1x Gigabit PoE switch
- 1x Power adapter
- 1x Mounting kits
- 1x User Guide / Conformity certificate / Warranty card

### **Note**

If any shortage or damage found, please contact us in time.

---

## Product overview

### Product introduction

10/100/1000M PoE switch can provide both 10/100/1000M Ethernet data and Power over network cable, it can be used as Ethernet Power Sourcing Equipment, it can automatically detect and identify whether connected devices such as IP camera comply with standard IEEE PoE 802.3af, 802.3at and supply power for them. 10/100/1000M PoE switch easier the deployment of Wireless AP, IP camera and IP-based network equipment.

PoE Technology is Power over Ethernet technology. It is referring to transfer both Ethernet data and DC Power at the same time for IP Phone, Wireless AP, IP-based camera. These devices which receive DC power is called Powered Device (PD).

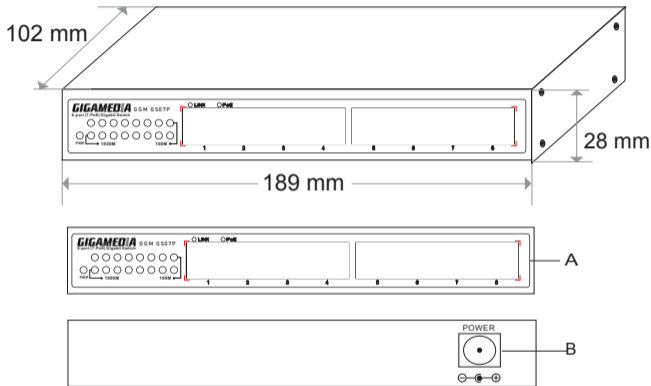
### Note

The product «Switch» mentioned in the manual, if without a special request, it is referring to 10/100/1000M PoE switch, PoE switch in short in below.

### Feature

- Comply to IEEE802.3, IEEE802.3u, IEEE802.3af, IEEE802.3at.
- 10/100/1000M self-adaptive, down link port support PoE.
- All the ports support Auto MDI/MDIX.
- Each PoE port support Power up to 15.4 W (IEEE802.3af), 30 W (IEEE802.3at).
- Compatible with Powered device applied to IEEE802.3af.
- Support IEEE802.3x Full Duplex flow control and Duplex backpressure flow control function.
- Automatic MAC address learning and updating.
- 4K MAC address.
- 16G Broadband and 192Kb forwarding memory.
- High performance full load power configuration.
- LED indicator monitor working status and help fault detection

## Technical structure and port description



A. Gigabit PoE Injector Ports

B. 100-240 VAC, 50/60 Hz

## Indicator description

Indicator	Status	Description
Power indicator: P	Green LED ON	Normal power supply
	Grey	Power OFF
PoE Indicator: PoE	Green LED ON	Connected the PD device, working properly
	Green LED Blink	Short circuit or current overload
	OFF	No connected PD or power OFF
Link indicator: Link	Yellow LED Blink	Data transmission normally
	Yellow LED ON	Connected with 10Mbps, 100Mbps or 1000Mbps PD
	OFF	Not connected PD
Rate indicator: 100 m	Green LED ON	Working in 100 m rate mode
	Green LED OFF	Do not work in 100 m rate mode
Rate indicator: 1000 m	Green LED ON	Working in 1000 m rate mode
	Green LED OFF	Do not work in 1000 m rate mode

**Note:** Please confirm that the PD devices are complying with IEEE802.3af/at standard.

**Priority:** this function will protect device when it is overload, if all PD consumption are higher than specified, switch port will be sorted by priority, port1, port2, port3, port N then power supply of lowest priority will be off.

**Power port, Power adapter:** please use 48-52 V power supply, the switch will be damaged if use mismatched power supply; Please input AC 110-245 V \ 50 Hz for internal power supply switch.

**PoE port:** the PoE ports include PoE function, it can transmit power and data when connected matching device, you can check the working status of each port on front panel LED.

**Ethernet Port:** all ports are Ethernet RJ45 port, all port support Auto MDIMDIX, plug and play, also you can check the working status of each port on front panel LED.

## Installation guide

### **Please install with the supporting devices.**

#### Installation

Please confirm the following things before installation:

1. If the PoE port power meets the power requirement of the connecting devices.
2. If the PoE standard requirement and power supply matches with the power receiving device [1/2+, 3/6-(End-span) / 4/5+, 7/8-(Mid-span)].
3. If the output power of the matched power adapter is compatible with the specification in the label of the PoE switch.

#### **Please install the PoE switch according to the following steps:**

1. Put the PoE switch on the surface of a large and stable table.
2. Plug the power adapter into the power connector, and then connect the power outlet through the power cord.
3. Connect the network devices to the PoE switch port through network cable.

#### **Note**

1. Please do not put heavy products on the POE switch, and please ensure good ventilation environment for the PoE switch.
2. Please cut off the power first before plugging the power adapter.

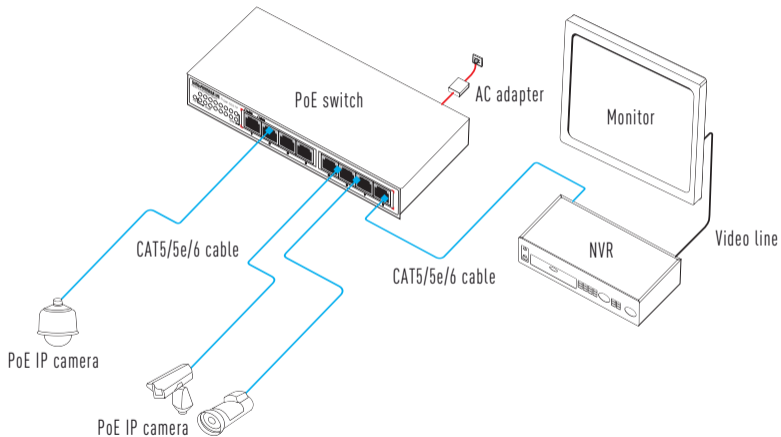
#### **Power**

Connect the power cable, plug it in, turn on the power. When turned on, the switch will automatically initialize, and at this time the following cases will occur for the LED lights:

1. Except the PoE port lights, all the other lights will be off after bright, which means the restoration is successful.
2. Power LED remains lit.

**Note:** If initialization is inconsistent with the above, please check the power.

## Connection diagram



## Products model & description

**GGM GS07P:** 8 Ports 10/100/1000M switch

Transmission Distance 100 m, 1-8 port support PoE, IEEE 802.3af, 15.4 W for each port,  
Total power 110 W, Internal PSU

### After installation, please check:

If there is enough space for heat sink; if the power socket is suitable for switch specification; if the power, switch and rack are properly grounded and if the connection between switch and other network equipments are normal.

## Disposing and recycling your product

### English:

This marking shown on the product or its literature, Indicates that it should not be disposed with other household wastes at the end of its working life. To prevent possible harm to the environment or human health from uncontrolled waste disposals please separate this from other types of wastes and recycle it responsibly to promote the sustainable reuse of material resources. Household users should contact either the retailer where they purchased this product or their local government office, for details of where and how they can take this item for environmentally safe recycling. This product should not be mixed with other commercial wastes for disposal.

### French:

Ce symbole sur le produit ou sa documentation indique qu'il ne doit pas être éliminé en fin de vie avec les autres déchets ménagers. L'élimination incontrôlée des déchets pouvant porter préjudice à l'environnement ou à la santé humaine, veuillez le séparer des autres types de déchets et le recycler de façon responsable. Veuillez le rapporter à un point de de collecte prévu à cet effet par les autorités locales. Vous favoriserez ainsi la réutilisation durable des ressources matérielles. Les particuliers sont invités à contacter le distributeur leur ayant vendu le produit ou à se renseigner auprès de leur mairie pour savoir où et comment ils peuvent se débarrasser de ce produit afin qu'il soit recyclé en respectant l'environnement.